



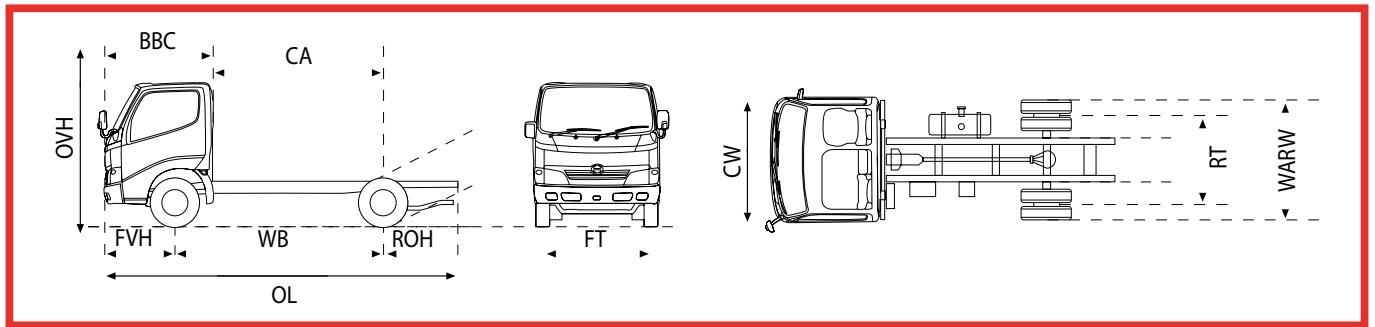
HINO 3000

Series



THE RIGHT TRUCK FOR AFRICA

DESCRIPTION	HINO 300 614 SWB	HINO 300 614 LWB	HINO 300 714 SWB	HINO 300 714 LWB	HINO 300 714 LWB CREW CAB
MASS DATA (KG)					
A - Front	2300	2300	3100	3100	3100
A - Rear	4360	4360	5100	5100	5100
Approx. body + payload allowance	3390	3315	4135	4120	3940
D/T	7300	7300	8300	8300	8300
GA - Front	2600	2600	3100	3100	3100
GA - Rear	4400	4400	5100	5100	5100
GCM	7300	7300	8300	8300	8300
GVM	5500	5500	6500	6500	6500
Tare - Front	1355	1385	1550	1565	1665
Tare - Rear	755	800	815	815	895
Tare - Total (incl. spare wheel)	2110	2185	2365	2380	2560
V - rating	5500	5500	6500	6500	6500



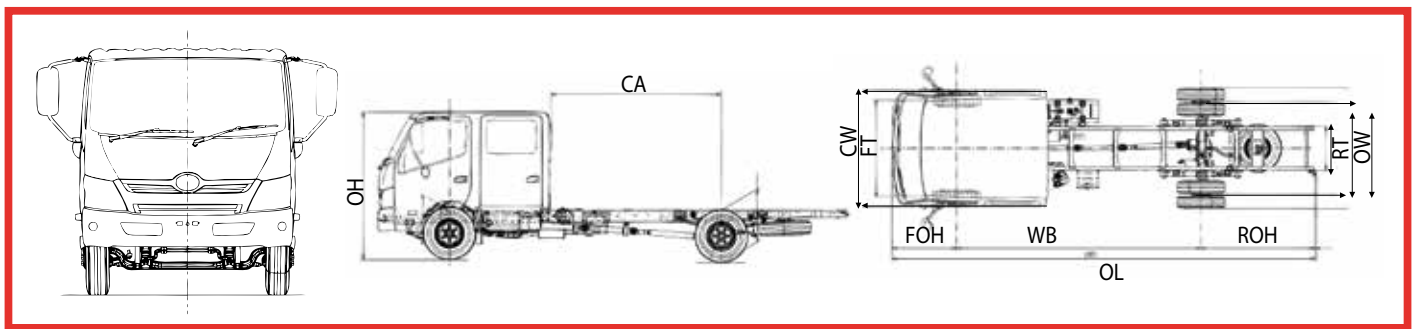
DIMENSIONS (MM)					
BBC - Rear Structure	1560	1560	1670	1670	1670
CA - Cab to Axle	1945	2820	2870	3310	2300
CH - Cab Height	2115	2110	2220	2220	2220
CW - Cab Width (excl. mirrors)	1695	1695	1995	1995	1995
FH - Frame Height Rear Axle	705	705	785	785	800
FOH - Front Overhang	980	980	1110	1110	1110
FT - Front Track	1400	1400	1655	1655	1655
FW - Frame Width (Outside)	700	700	750	750	750
Max. Homologated Body Width (min-max)	1870 - 2100	1870 - 2100	1995 - 2500	1995 - 2500	1995 - 2500
Max. Body Length	3400	4800	4800	5600	4500
Suggested Body Length	3200	4200	4200	5200	4000
MGC - Minimum Ground Clearance	195	195	210	210	210
OL -Overall Length	4710	5965	6120	6735	6735
OVH - Overall Vehicle Height	2115	2110	2220	2220	2260
ROH - Rear Overhang	1135	1555	1580	1760	1750
RT - Rear Track	1435	1435	1520	1520	1520
WARW - Width Across Rear Wheels	1870	1870	1985	1985	1985
WB - Wheel Base Std	2525	3400	3430	3870	3870
WB - Wheel Base (Min - Max)	2525 - 3800	2525 - 3800	3430 - 4600	3430 - 4600	3430 - 4600

SAFETY & SECURITY					
Airbags	Driver and passenger	Driver and passenger	Driver and passenger	Driver and passenger	Driver and passenger
Seatbelt pre-tensioner	Driver and passenger	Driver and passenger	Driver and passenger	Driver and passenger	Driver and passenger
Transponder Key Immobiliser	Std	Std	Std	Std	Std
Side impact beams	Std	Std	Std	Std	Std
Microdot vehicle identification	Std	Std	Std	Std	Std

COMFORT & CONVENIENCE					
Air-conditioner	Std	Std	Std	Std	Std
Key activated central locking	Std	Std	Std	Std	Std
Electric windows	Driver and passenger	Driver and passenger	Driver and passenger	Driver and passenger	Driver and passenger
Radio/CD Player	Std	Std	Std	Std	Std
Storage Facilities	Std	Std	Std	Std	Std

SPEED LIMITER					
Electronic CPU	Std	Std	Std	Std	Std

DESCRIPTION	HINO 300 814 LWB	HINO 300 815 AUTO SWB	HINO 300 815 LWB AUTO	HINO 300 815 AUTO CREW CAB	HINO 300 915 LWB	HINO 300 915 MT LWB CREW CAB
MASS DATA (KG)						
A - Front	3100	3100	3100	3100	3100	3100
A - Rear	5500	5500	5500	5500	6200	6200
Approx. body + payload allowance	5090	4830	4795	4610	5950	5715
D/T	9300	9100	9100	9100	10300	10300
GA - Front	3100	3100	3100	3100	3100	3100
GA - Rear	5500	5500	5500	5500	6200	6200
GCM	9300	9100	9100	9100	10300	10300
GVM	7500	7300	7300	7300	8500	8500
Tare - Front	1575	1625	1645	1745	1630	1750
Tare - Rear	835	845	860	945	920	1035
Tare - Total (incl. spare wheel)	2410	2470	2505	2690	2550	2785
V - rating	7500	7300	7300	7300	8500	8500



DIMENSIONS (MM)						
BBC - Rear Structure	1670	1670	1670	2680	1670	1670
CA - Cab to Axle	3310	3310	3640	2630	3640	2630
CH - Cab Height	2220	2220	2215	2235	2235	2250
CW - Cab Width (excl. mirrors)	1995	1995	1995	1995	1995	1995
FH - Frame Height Rear Axle	795	815	795	795	805	800
FOH - Front Overhang	1110	1110	1110	1110	1110	1110
FT - Front Track	1655	1655	1655	1655	1655	1655
FW - Frame Width (Outside)	750	750	750	750	750	750
Max. Homologated Body Width (min-max)	1995 - 2500	1995 - 2500	1995 - 2500	1995 - 2500	2055 - 2500	2055 - 2500
Max. Body Length	5600	5600	6000	5000	6000	5050
Suggested Body Length	5200	5200	5500	4200	5500	4400
MGC - Minimum Ground Clearance	215	215	215	210	200	200
OL - Overall Length	6735	6735	7245	7245	7250	7250
OVH - Overall Vehicle Height	2220	2220	2215	2235	2235	2250
ROH - Rear Overhang	1760	1760	1940	1940	1940	1930
RT - Rear Track	1520	1520	1520	1520	1590	1590
WARW - Width Across Rear Wheels	1985	1985	1985	1985	2055	2055
WB - Wheel Base Std	3870	3870	4200	4200	4200	4200
WB - Wheel Base (Min - Max)	3430 - 4800	3430 - 4800	3430 - 5200	4200 - 5200	4200 - 5200	4200 - 5200

SAFETY & SECURITY						
Airbags	Driver and passenger	Driver and passenger	Driver and passenger	Driver and passenger	Driver and passenger	Driver and passenger
Seatbelt pre-tensioner	Driver and passenger	Driver and passenger	Driver and passenger	Driver and passenger	Driver and passenger	Driver and passenger
Transponder Key Immobiliser	Std	Std	Std	Std	Std	Std
Side impact beams	Std	Std	Std	Std	Std	Std
Microdot vehicle identification	Std	Std	Std	Std	Std	Std

COMFORT & CONVENIENCE						
Air-conditioner	Std	Std	Std	Std	Std	Std
Key activated central locking	Std	Std	Std	Std	Std	Std
Electric windows	Driver and passenger	Driver and passenger	Driver and passenger	Driver and passenger	Driver and passenger	Driver and passenger
Radio/CD Player	Std	Std	Std	Std	Std	Std
Storage Facilities	Std	Std	Std	Std	Std	Std

SPEED LIMITER						
Electronic CPU	Std	Std	Std	Std	Std	Std

DESCRIPTION	HINO 300 614 SWB	HINO 300 614 LWB	HINO 300 714 SWB	HINO 300 714 LWB	HINO 300 714 LWB CREW CAB
ENGINE					
Model	N04C - VA	N04C - VA	N04C - VA	N04C - VA	N04C - VA
4 Stroke Compression Ignition	Yes	Yes	Yes	Yes	Yes
Aspiration	Turbo Intercooled	Turbo Intercooled	Turbo Intercooled	Turbo Intercooled	Turbo Intercooled
Bore X Stroke	104 X 118	104 X 118	104 X 118	104 X 118	104 X 118
Capacity (cc)	4009	4009	4009	4009	4009
Compression Ratio :	18:1	18:1	18:1	18:1	18:1
Configuration	In-line	In-line	In-line	In-line	In-line
Engine oil cooler	Yes	Yes	Yes	Yes	Yes
Euro Emission Status	Euro 3	Euro 3	Euro 3	Euro 3	Euro 3
Firing order	1 - 3 - 4 - 2	1 - 3 - 4 - 2	1 - 3 - 4 - 2	1 - 3 - 4 - 2	1 - 3 - 4 - 2
Max Eng. Speed rpm	3000	3000	3000	3000	3000
No of Main Bearings	5	5	5	5	5
Number of Cylinders	4	4	4	4	4
Number of Valves per Cylinders	4	4	4	4	4
Power (EEC/ISO NET) (kw@rpm)	100 @ 2500	100 @ 2500	100 @ 2500	100 @ 2500	100 @ 2500
TRANSMISSION					
Synchromesh or Automatic	Synchromesh	Synchromesh	Synchromesh	Synchromesh	Synchromesh
Gear Ratio 1-top gear:	4.981 - 0.738	4.981 - 0.738	4.981 - 0.738	4.981 - 0.738	4.981 - 0.738
Gearshift operation	Mechanical	Mechanical	Mechanical	Mechanical	Mechanical
Make	HINO	HINO	HINO	HINO	HINO
Model	M550	M550	M550	M550	M550
No of forward gears	5	5	5	5	5
Reverse Ratio	4,625	4,625	4,625	4,625	4,625
AXLES					
Type	Reversed Elliot 'I' Beam	Reversed Elliot 'I' Beam	Reversed Elliot 'I' Beam	Reversed Elliot 'I' Beam	Reversed Elliot 'I' Beam
Housing Type	Full Floating	Full Floating	Full Floating	Full Floating	Full Floating
Inter-Axle Diff lock	N/A	N/A	N/A	N/A	N/A
Make	HINO	HINO	HINO	HINO	HINO
Ratio	4,333	4,333	4,625	4,625	4,625
Type	Single reduction hypoid	Single reduction hypoid	Single reduction hypoid	Single reduction hypoid	Single reduction hypoid
BRAKES					
ABS	Yes	Yes	Yes	Yes	Yes
Brake system : Front	Disc	Disc	Drum	Drum	Drum
Brake system : Rear	Drum	Drum	Drum	Drum	Drum
Dual Circuit	Yes	Yes	Yes	Yes	Yes
LSP Valve on Rear Axle	Not Fitted	Not Fitted	Not Fitted	Not Fitted	Not Fitted
Type :	Vacuum Servo Hydraulic	Vacuum Servo Hydraulic	Vacuum Servo Hydraulic	Vacuum Servo Hydraulic	Vacuum Servo Hydraulic
Type :	Rear of Transmission	Rear of Transmission	Rear of Transmission	Rear of Transmission	Rear of Transmission
STEERING					
Ratio	22.6 : 1	22.6 : 1	20.9 : 1	20.9 : 1	20.9 : 1
Steering Column	Tilt and Telescopic	Tilt and Telescopic	Tilt and Telescopic	Tilt and Telescopic	Tilt and Telescopic
Turning radius between kerbs : (mm)	5500	7200	6200	6900	6900
Turning radius between walls : (mm)	6000	7700	6900	7600	7600
Type	Recirculating Ball	Recirculating Ball	Recirculating Ball	Recirculating Ball	Recirculating Ball
WHEELS & TYRES					
Attachment	5 Stud Disc Wheel	5 Stud Disc Wheel	6 Stud Disc Wheel	6 Stud Disc Wheel	6 Stud Disc Wheel
No of Wheels including spare	7	7	7	7	7
Spare Wheel Carrier Location	Rear chassis	Rear chassis	Rear chassis	Rear chassis	Rear chassis
Tyre Construction	Tubeless	Tubeless	Tubeless	Tubeless	Tubeless
Tyre size	205/75R16C	205/75R16C	215/75R17.5	215/75R17.5	215/75R17.5
Load/speed rating	113/111	113/111	126/124	126/124	126/124
Wheel size	16 x 5.50	16 x 5.50	17.5 x 6.00	17.5 x 6.00	17.5 x 6.00
Wheel Type	Single Piece Steel	Single Piece Steel	Single Piece Steel	Single Piece Steel	Single Piece Steel
FUEL					
Capacity (l)	80	100	100	100	100

DESCRIPTION	HINO 300 814 LWB	HINO 300 815 AUTO SWB	HINO 300 815 LWB AUTO	HINO 300 815 AUTO CREW CAB	HINO 300 915 LWB	HINO 300 915 MT LWB CREW CAB
ENGINE						
Model	N04C - VA	N04C - VB	N04C - VB	N04C - VB	N04C - VB	N04C - VB
4 Stroke Compression Ignition	Yes	Yes	Yes	Yes	Yes	Yes
Aspiration	Turbo Intercooled	Turbo Intercooled	Turbo Intercooled	Turbo Intercooled	Turbo Intercooled	Turbo Intercooled
Bore X Stroke	104 X 118	104 X 118	104 X 118	104 X 118	104 X 118	104 X 118
Capacity (cc)	4009	4009	4009	4009	4009	4009
Compression Ratio :	18:1	18:1	18:1	18:1	18:1	18:1
Configuration	In-line	In-line	In-line	In-line	In-line	In-line
Engine oil cooler	Yes	Yes	Yes	Yes	Yes	Yes
Euro Emission Status	Euro 3	Euro 3	Euro 3	Euro 3	Euro 3	Euro 3
Firing order	1 - 3 - 4 - 2	1 - 3 - 4 - 2	1 - 3 - 4 - 2	1 - 3 - 4 - 2	1 - 3 - 4 - 2	1 - 3 - 4 - 2
Max Eng. Speed rpm	3000	3100	3100	3100	3100	3100
No of Main Bearings	5	5	5	5	5	5
Number of Cylinders	4	4	4	4	4	4
Number of Valves per Cylinders	4	4	4	4	4	4
Power (EEC/ISO NET) (kw@rpm)	100 @ 2500	110 @ 2800	110 @ 2800	110 @ 2800	110 @ 2800	110 @ 2800
TRANSMISSION						
Synchromesh or Automatic	Synchromesh	Automatic	Automatic	Automatic	Synchromesh	Synchromesh
Gear Ratio 1-top gear:	4.981 - 0.738	3.742 - 0.634	3.742 - 0.634	3.742 - 0.634	5.979 - 0.759	5.979 - 0.759
Gearshift operation	Mechanical	Automatic	Automatic	Automatic	Mechanical	Mechanical
Make	HINO	HINO	HINO	HINO	HINO	HINO
Model	M550	A860E	A860E	A860E	MY6S	MY6S
No of forward gears	5	6	6	6	6	6
Reverse Ratio	4,625	3,697	3,697	3,697	5,701	5,701
AXLES						
Type	Reversed Elliot 'I' Beam	Reversed Elliot 'I' Beam	Reversed Elliot 'I' Beam	Reversed Elliot 'I' Beam	Reversed Elliot 'I' Beam	Reversed Elliot 'I' Beam
Housing Type	Full Floating	Full Floating	Full Floating	Full Floating	Full Floating	Full Floating
Inter-Axle Diff lock	N/A	N/A	N/A	N/A	N/A	N/A
Make	HINO	HINO	HINO	HINO	HINO	HINO
Ratio	4,875	4,875	5,125	5,125	4,875	4,875
Type	Single reduction hypoid	Single reduction hypoid	Single reduction hypoid	Single reduction hypoid	Single reduction hypoid	Single reduction hypoid
BRAKES						
ABS	Yes	Yes	Yes	Yes	Yes	Yes
Brake system : Front	Drum	Drum	Drum	Drum	Drum	Drum
Brake system : Rear	Drum	Drum	Drum	Drum	Drum	Drum
Dual Circuit	Yes	Yes	Yes	Yes	Yes	Yes
LSP Valve on Rear Axle	Not Fitted	Not Fitted	Not Fitted	Not Fitted	Not Fitted	Not Fitted
Type :	Vacuum Servo Hydraulic	Vacuum Servo Hydraulic	Vacuum Servo Hydraulic	Vacuum Servo Hydraulic	Vacuum Servo Hydraulic	Vacuum Servo Hydraulic
Type :	Rear of Transmission	Rear of Transmission	Rear of Transmission	Rear of Transmission	Rear of Transmission	Rear of Transmission
STEERING						
Ratio	20.9 : 1	20.9 : 1	20.9 : 1	20.9 : 1	20.9 : 1	20.9 : 1
Steering Column	Tilt and Telescopic	Tilt and Telescopic	Tilt and Telescopic	Tilt and Telescopic	Tilt and Telescopic	Tilt and Telescopic
Turning radius between kerbs : (mm)	6900	6900	7400	7400	7400	6900
Turning radius between walls : (mm)	7600	7600	8100	8100	8100	7600
Type	Recirculating Ball	Recirculating Ball	Recirculating Ball	Recirculating Ball	Recirculating Ball	Recirculating Ball
WHEELS & TYRES						
Attachment	6 Stud Disc Wheel	6 Stud Disc Wheel	6 Stud Disc Wheel	6 Stud Disc Wheel	6 Stud Disc Wheel	6 Stud Disc Wheel
No of Wheels including spare	7	7	7	7	7	7
Spare Wheel Carrier Location	Rear chassis	Rear chassis	Rear chassis	Rear chassis	Rear chassis	Rear chassis
Tyre Construction	Tubeless	Tubeless	Tubeless	Tubeless	Tubeless	Tubeless
Tyre size	215/75R17.5	215/75R17.5	215/75R17.5	215/75R17.5	215/75R17.5	215/75R17.5
Load/speed rating	126/124	126/124	126/124	126/124	126/124	126/124
Wheel size	17.5 x 6.00	17.5 x 6.00	17.5 x 6.00	17.5 x 6.00	17.5 x 6.00	17.5 x 6.00
Wheel Type	Single Piece Steel	Single Piece Steel	Single Piece Steel	Single Piece Steel	Single Piece Steel	Single Piece Steel
FUEL						
Capacity (l)	100	100	100	100	100	100



Euro 3 Engine Technology



Side Impact Beams



Dual Air Bags



ABS on all Models



Crew Cab Option

TECHNOLOGY THAT MEETS ALL YOUR TRANSPORT NEEDS

Advanced technology and modern design meets driver safety, comfort and economy. The HINO 300 Series will move your business to a new level of productivity.



Rugged and reliable, the HINO 300 Series will get your goods safely and efficiently transported to their end destination. Backed by HINO's researched and tested technology, this world renowned light duty truck is perfect for inner and inter-city deliveries in various application types, whatever your business operation may be. This truck is the solution to your desired transport needs.

TECHNOLOGY

Euro 3 engine technology provides uncompromised power and fuel economy with reduced harmful emissions to the environment.

SAFETY

Safety is considered from every angle with a reinforced steel cab, ABS brakes, side impact beams inside cab doors, SRS air bags (driver and passenger) as well as a seatbelt indicator light and warning buzzer.

SECURITY

A transponder key immobiliser and central locking system is a standard security feature. Micro dot vehicle identification is applied on all models for easy recognition.

COMFORT & CONVENIENCE

Spacious and comfortable, the cab is designed to equip drivers to perform at their best. With power steering, electric windows, air conditioning, multiple storage areas and radio/CD as standard features comfort is guaranteed. A foldable gear lever further enhances freedom of movement around the cab interior (wide cab models only) when the truck is stationary.

ADDED FEATURES IN SELECTED MODELS

- A 6-speed automatic transmission reduces driver fatigue and operating costs while reducing clutch wear and tear especially in certain applications with stop/start delivery operations.
- The Crew Cab option comfortably transports an additional four passengers in the rear cab and an impressive load of cargo.

Warranty Terms: 2 years or 50 000km (whichever comes first).

Service intervals: Every 10 000 KM or as recommended by the selling HINO Dealer.

Disclaimer Information: Certain vehicle details and specifications contained in this leaflet may differ from available models. HINO Motors Limited and Toyota Tsusho Africa reserves the right to alter any details of specifications and equipment without notice. For the most current information on prices and specifications please contact your local HINO Distributor in your country.